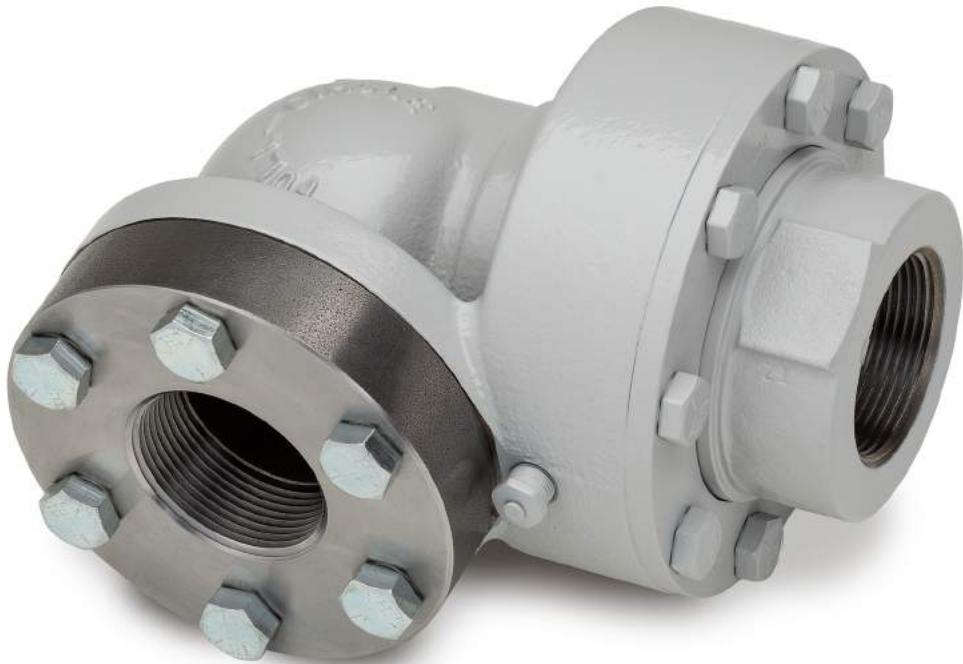


# GOT FLANGES?



## Introducing the New Flanged Connection Swivel Option from Full-Circle

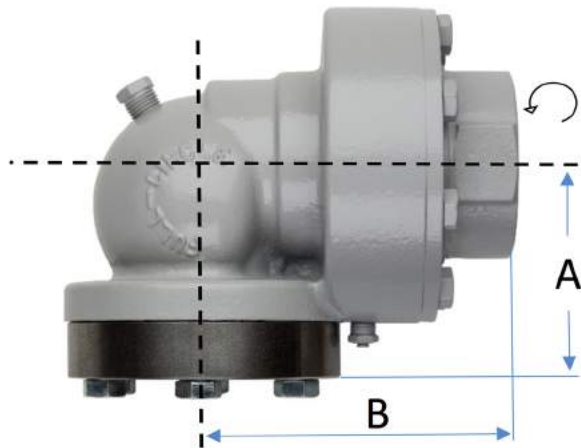
- New flanged inlet connection allows for ease of installation and maintenance for hose reel use
- Identical dimensions as the standard threaded connection swivels... “bolt in” replacement!
- Barstock machined flanges available as threaded, socket-weld, or butt-weld versions in 1-1/2 or 2-inch
- Offered in combination pipe sizes for inlet and outlet
- Stainless steel companion flanges available
- UL Listed for LP-gas, Natural Gas, and Anhydrous Ammonia



### **FULL-CIRCLE, INC.**

P.O. Box 276, Newbury Park, CA 91319 USA  
1299 Lawrence Drive, Newbury Park, CA 91320 USA  
Telephone: 805/498-2589 Fax: 805/499-2867  
[www.fullcircleswivels.com](http://www.fullcircleswivels.com)


# MODEL TYPES



All dimensions in inches

All weights in pounds

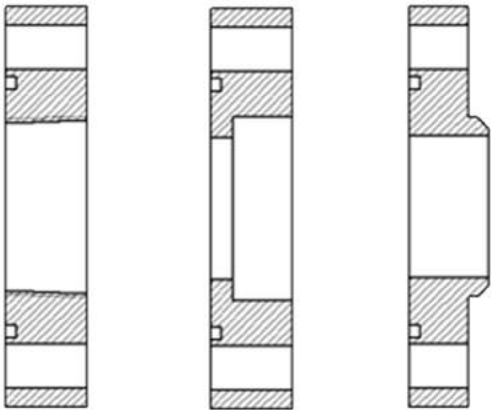
All threads FNPT

 designates rotating end

MODEL (MAIN HOUSING)	SIZE (FNPT) (inlet x outlet)	A	B	TOTAL WEIGHT (INCLUDES FLANGE)
SMAC-112FLN*, SMAC-112FN*	1-½ OR 2 X 1-½	3-¾	4-¾	16-½
SMAC-200FLN*, SMAC-200FN*	1-½ OR 2 X 2	3-¾	4-¾	16-½

Flanged swivels available in threaded, socket-weld, or butt-weld versions. Flanged end is located on non-rotating end of swivel. When ordering, specify model # of swivel main housing and flange part #. \*Swivel model #s ending in “LN” are intended for LP-gas or natural gas service only. Swivel model #s ending in “N” are intended for NH3 service only.

# FLANGE TYPES



Threaded FNPT    Socket-weld    Butt-weld

FLANGE PART #	STEEL FLANGE OPTIONS*
TC-32T-6-112	1-1/2 INCH THREADED COMPANION FLANGE
TC-32T-6-200	2 INCH THREADED COMPANION FLANGE
TC-32S-6-112	1-1/2 INCH SOCKET-WELD COMPANION FLANGE
TC-32S-6-200	2 INCH SOCKET-WELD COMPANION FLANGE
TC-32W-6-112	1-1/2 INCH BUTT-WELD COMPANION FLANGE
TC-32W-6-200	2 INCH BUTT-WELD COMPANION FLANGE

\*Stainless steel flanges also available.

Flanges include cap screws and o-ring. Threaded flanges can be supplied “as assembled” onto the swivel or separately. If ordered “as assembled”, the threaded companion flange cap screws will be factory torqued.

Temperature Range: -40°F to +250°F.

Hydrostatic Test Pressure: 2000 psi.

Maximum Allowable Working Pressure: 400 psi

