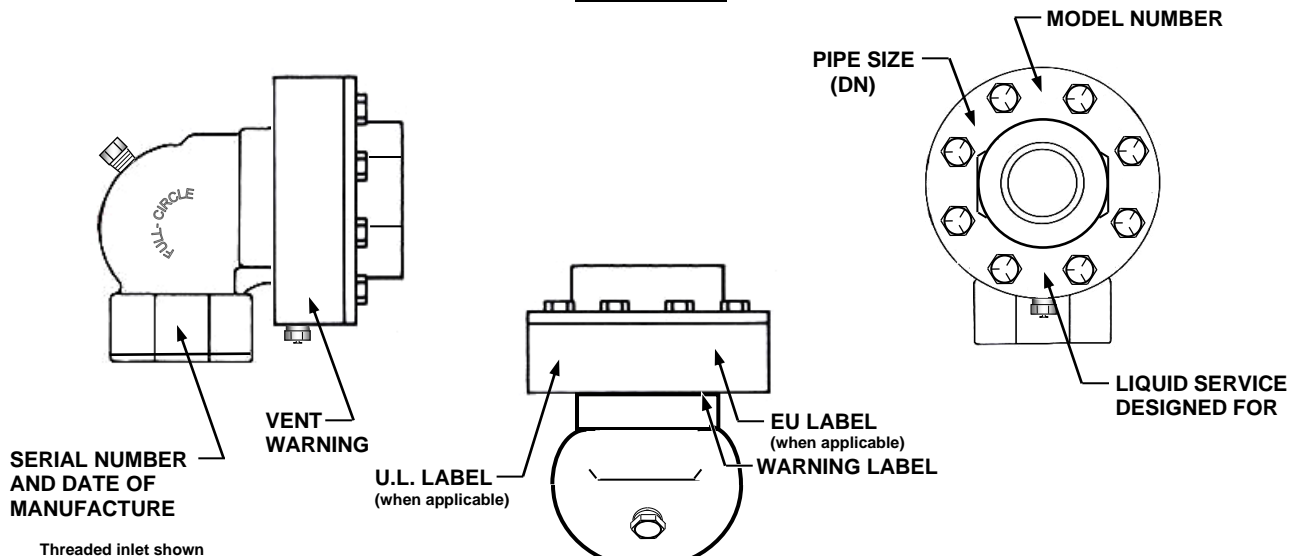
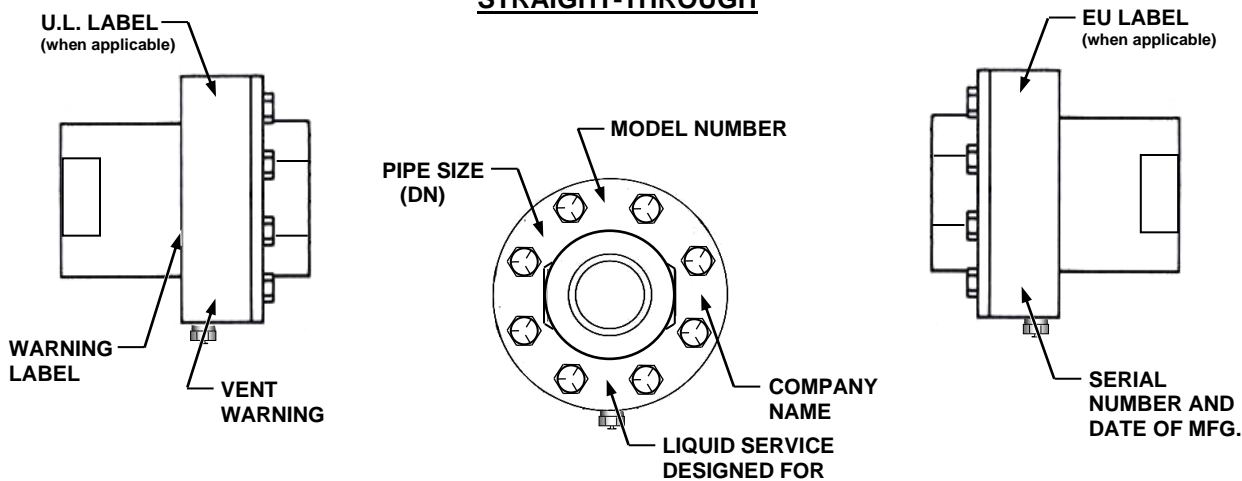


LOCATION OF IMPORTANT INFORMATION AFFIXED TO 90-DEGREE, STRAIGHT-THROUGH, AND JO-SERIES SWIVELS. CONTACT US FOR REPLACEMENT LABELS IF THEY ARE MISSING. READ ALL LITERATURE INCLUDED WITH THE PRODUCT.

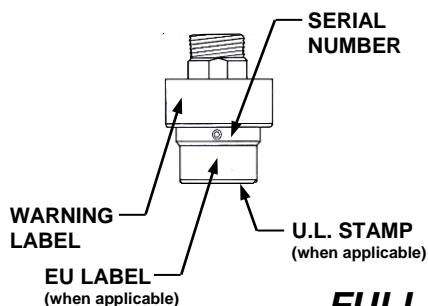
90-DEGREE



STRAIGHT-THROUGH



JO-TYPE



FULL-CIRCLE, INC.



P.O. Box 276, Newbury Park, CA 91319 USA

1299 Lawrence Drive, Newbury Park, CA 91320 USA

Telephone: 805/498-2589 FAX: 805/499-2867 email: info@fullcircleswivels.com

web: www.FULLCIRCLESWIVELS.com